

DOWLAD-KAAB-LDF 2026 PROJECTS IN SOUTHWEST STATE, SOMALIA
CONSTRUCTION OF MULTI-PURPOSE COMMUNITY CENTRE , BARAAWE DISTRICT

PROJECT BID DRAWINGS

MAY 2026

FUNDED & IMPLEMENTED BY:



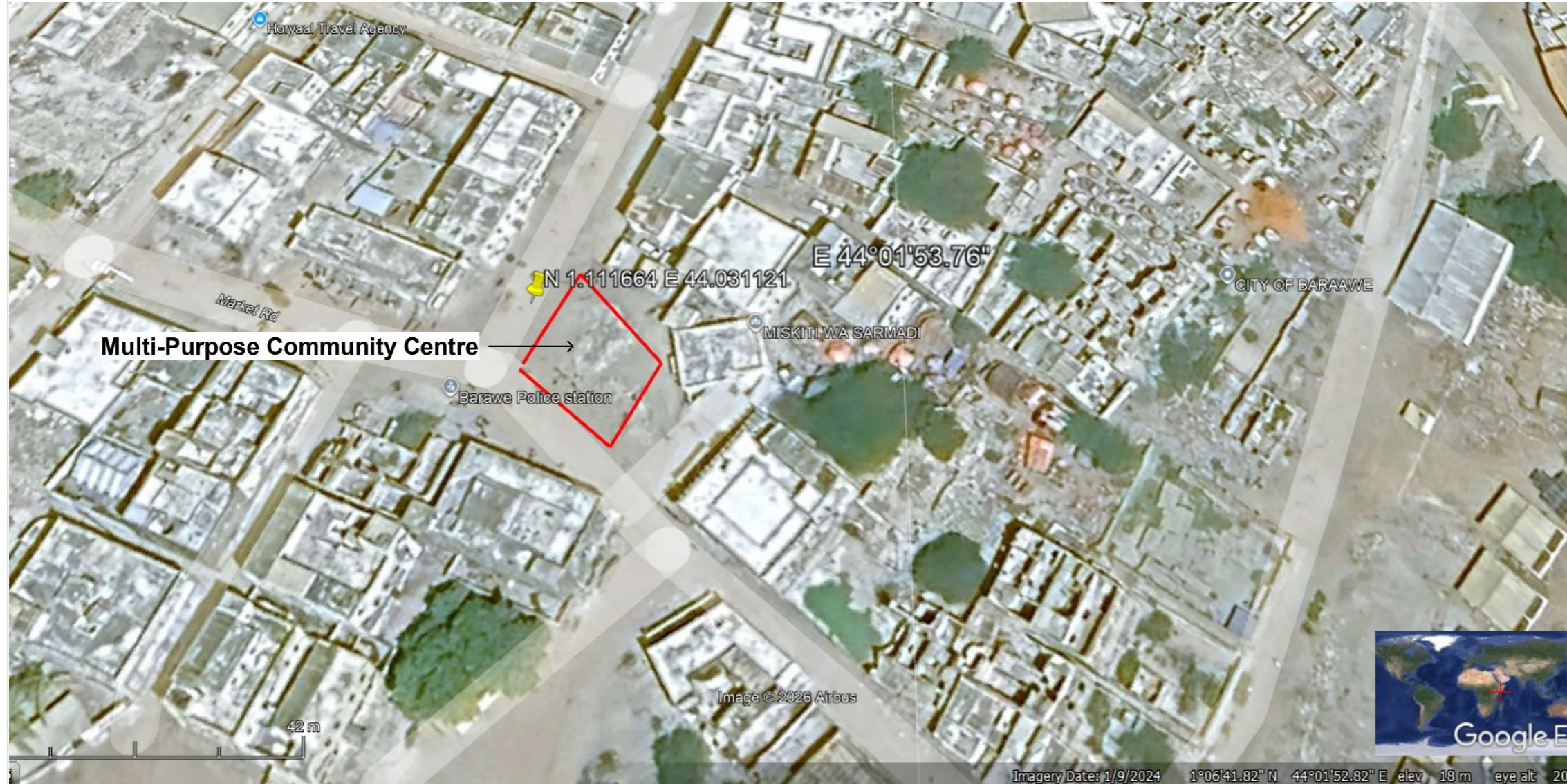
UNDP DOWLAD-KAAB PROGRAM



SOUTHWEST STATE GOVERNMENT, SOMALIA



BARAAWE DISTRICT LOCAL GOVERNMENT



Project Location Baraawe District



- Note
1. ALL DIMENSIONS ARE IN METERS UNLESS NOTED OTHERWISE.
 2. THE RUBBLE STONE FOUNDATION WALL TO BE JOINTED WITH CEMENT/SAND (1:3 RATIO) MORTAR.
 3. ALL REINFORCE CONCRETE SHALL BE C25 (1:2:4)

No.	Description	Date

Celint: Baraawe District	
Project: Multi-Purpose Community Centre	
Location	
Dowladkaab LDF	
Date	May 2026
Drawn by	Eng Mohamud Essa Omar
A 101	
Scale	



DowladKaab Program

Note

1. ALL DIMENSIONS ARE IN METERS UNLESS NOTED OTHERWISE.
2. THE RUBBLE STONE FOUNDATION WALL TO BE JOINTED WITH CEMENT/SAND (1:3 RATIO) MORTAR.
3. ALL REINFORCE CONCRETE SHALL BE C25 (1:2:4)

No.	Description	Date

Celint: Baraawe District

Project: Multi-Purpose Community Centre

Floor Plan

Dowladkaab LDF

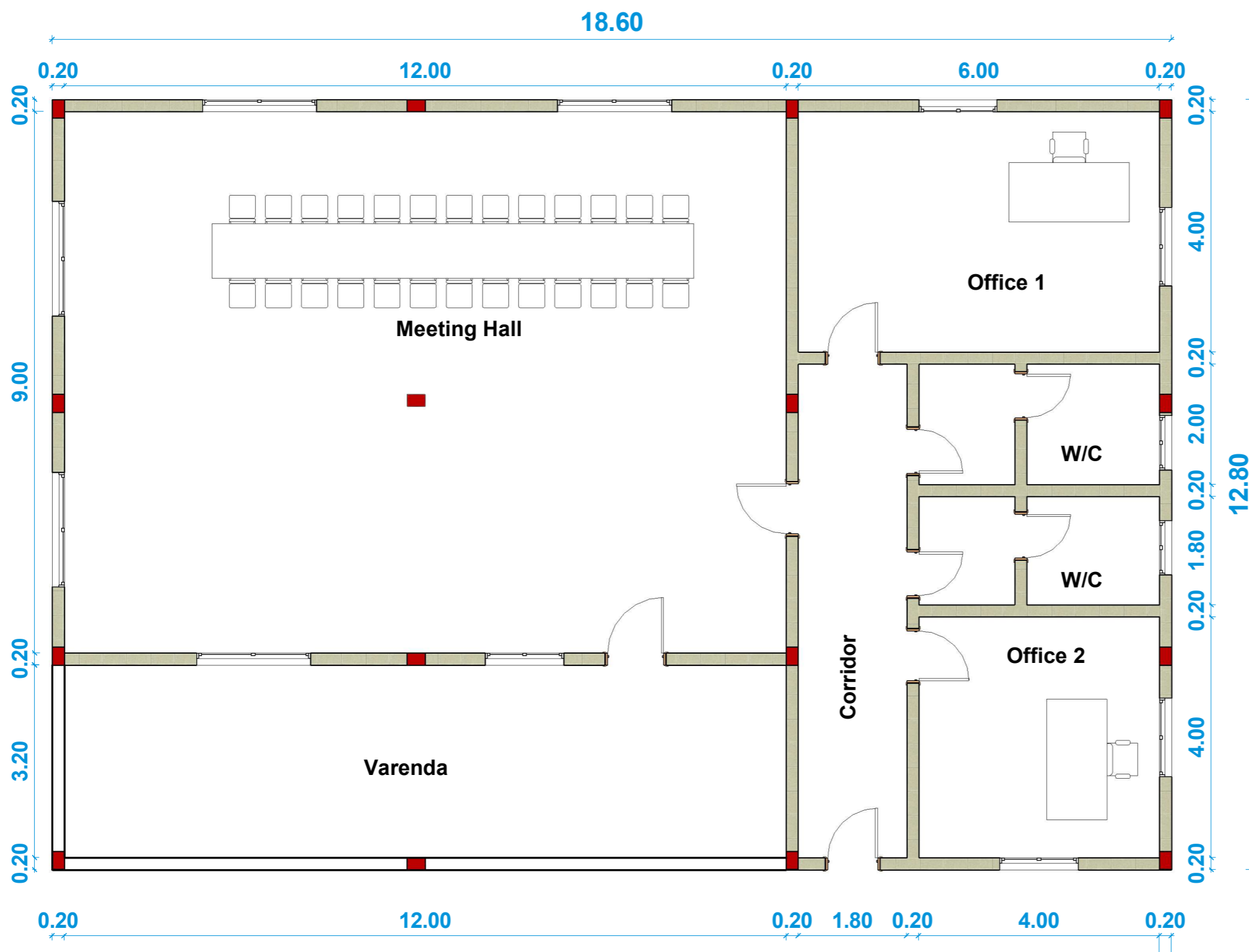
Date May 2026

Drawn by Eng Mohamud Essa Omar

A 102

Scale 1 : 50

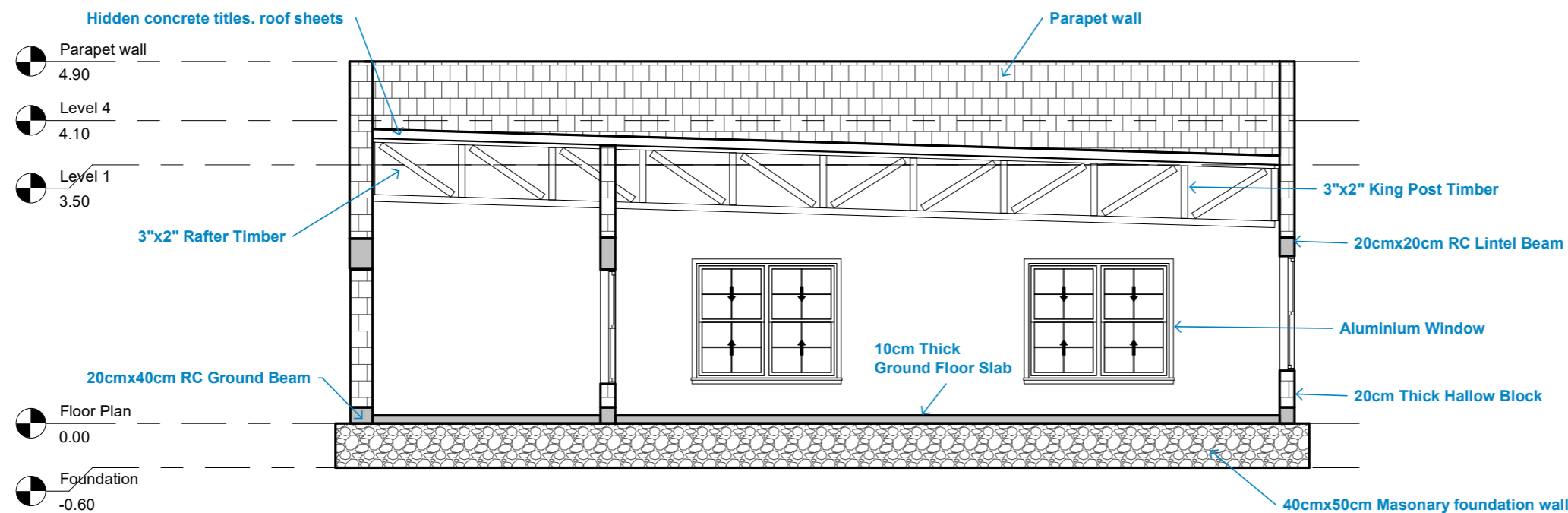
8/05/2026 4:16:22 PM



1 Floor Plan
1 : 50



DowladKaab Program



1 Section 1
1 : 50

Note

1. ALL DIMENSIONS ARE IN METERS UNLESS NOTED OTHERWISE.
2. THE RUBBLE STONE FOUNDATION WALL TO BE JOINTED WITH CEMENT/SAND (1:3 RATIO) MORTAR.
3. ALL REINFORCE CONCRETE SHALL BE C25 (1:2:4)

No.	Description	Date

Celint: Baraawe District

Project: Multi-Purpose Community Centre

Section & Elevation

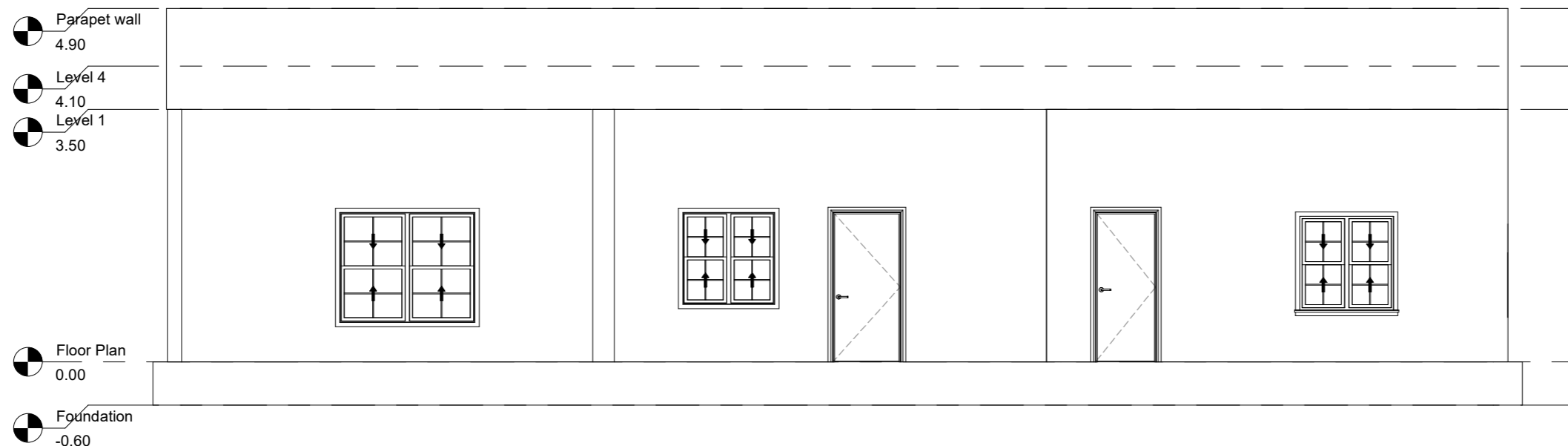
Dowladkaab LDF

Date May 2026

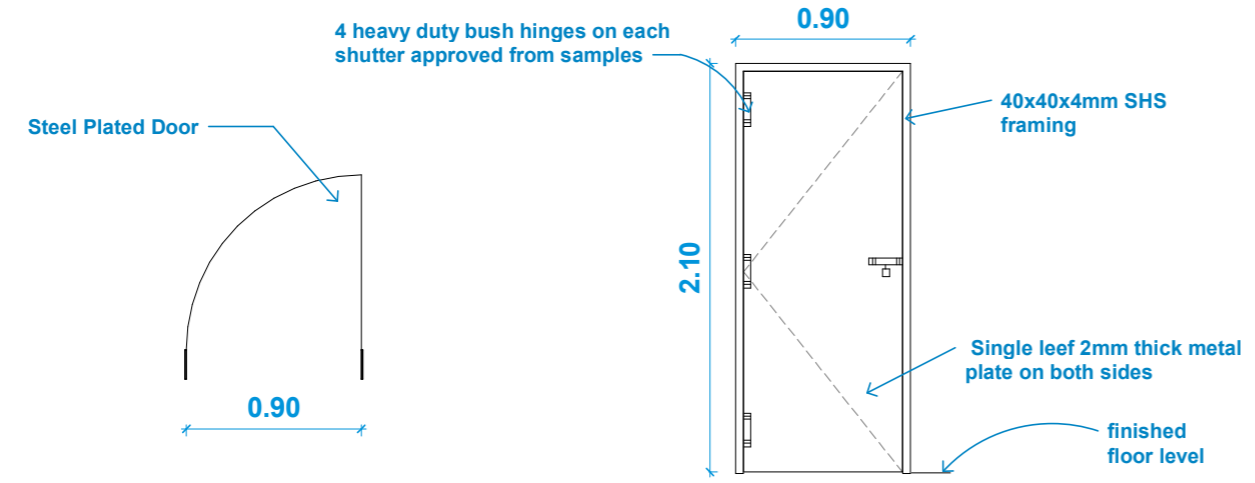
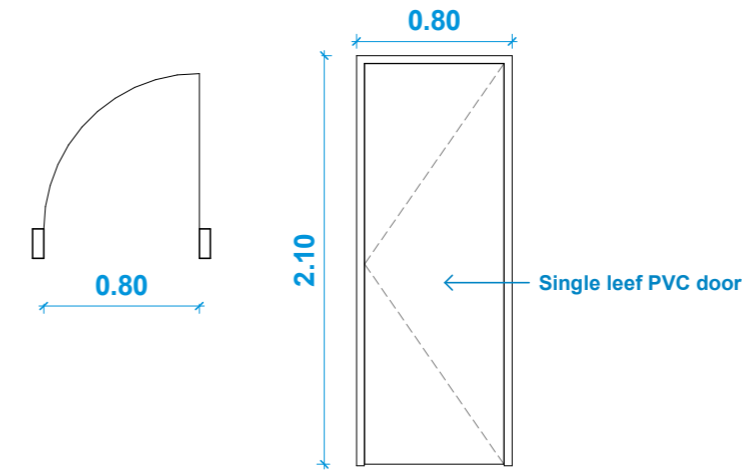
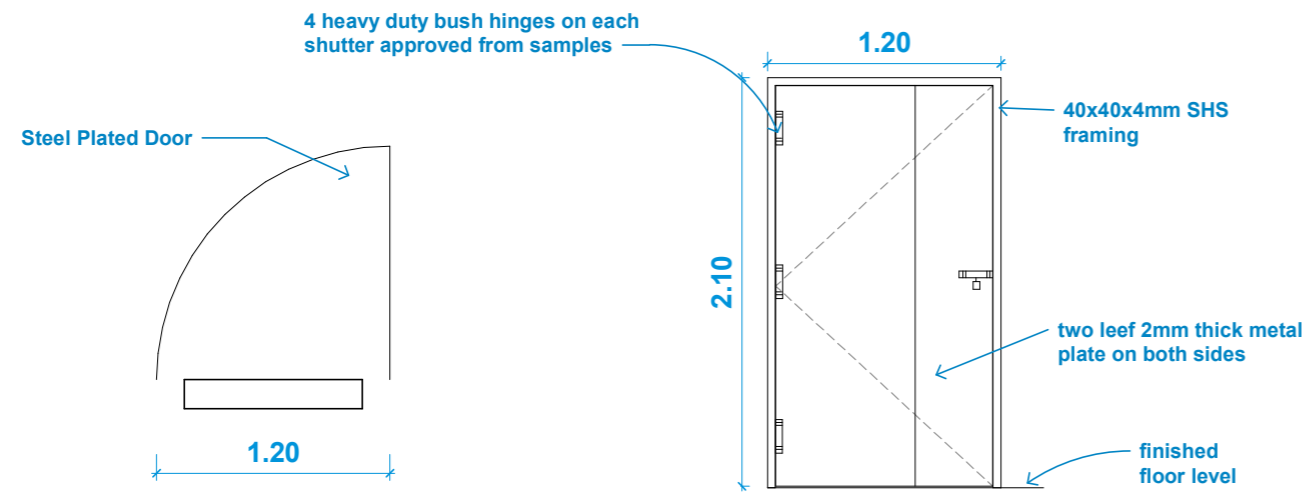
Drawn by Eng Mohamud Essa Omar

A 103

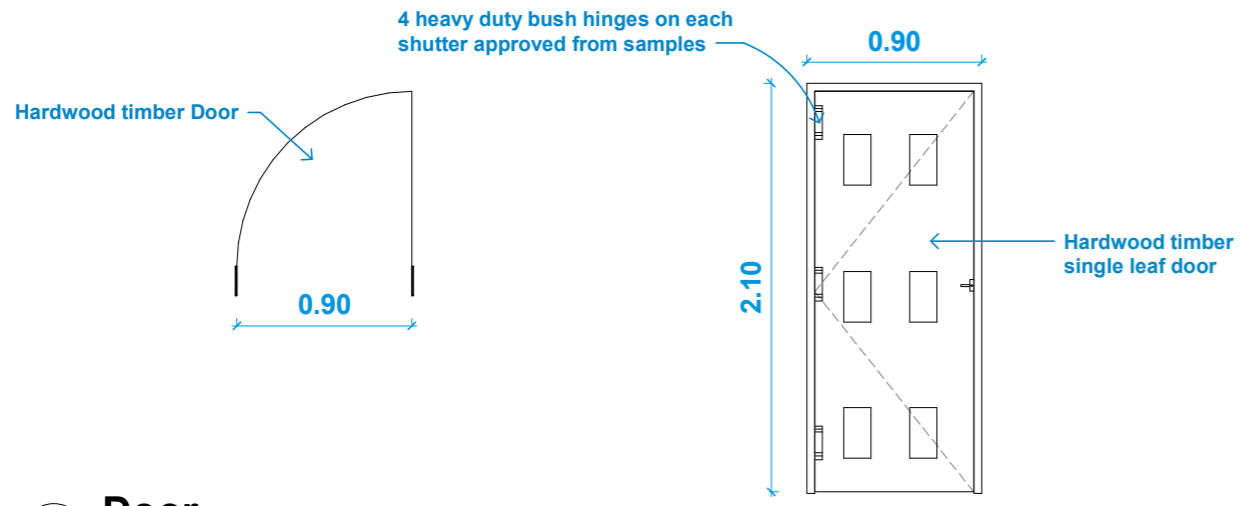
Scale 1 : 50



2 South
1 : 50



Door Schedule			
Description	Count	Height	Width
Single leaf Hardwood Door	1	2.11	0.90
Single leaf Hardwood Door	1	2.11	0.90
Single leaf Hardwood Door	1	2.11	0.90
Single leaf PVC Door	1	2.11	0.80
Single leaf PVC Door	1	2.11	0.80
Single leaf PVC Door	1	2.11	0.80
Two leaf Metal door	1	2.11	1.20
Single leaf PVC Door	1	2.11	0.80
Single leaf Metal door	1	2.11	0.90



Note

1. ALL DIMENSIONS ARE IN METERS UNLESS NOTED OTHERWISE.
2. THE RUBBLE STONE FOUNDATION WALL TO BE JOINTED WITH CEMENT/SAND (1:3 RATIO) MORTAR.
3. ALL REINFORCE CONCRETE SHALL BE C25 (1:2:4)

No.	Description	Date

Celint: Baraawe District

Project: Multi-Purpose Community Centre

Door Schedule

Dowladkaab LDF

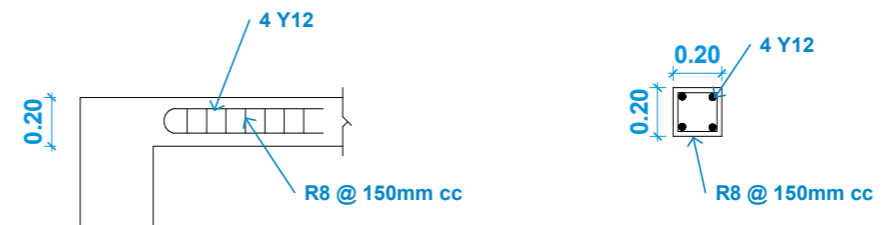
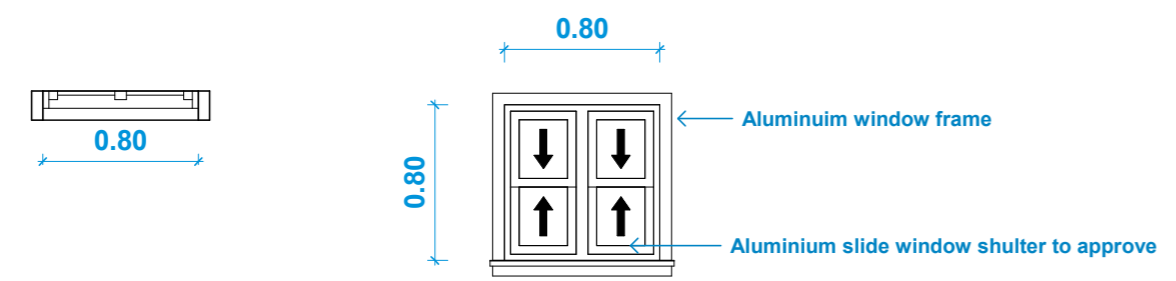
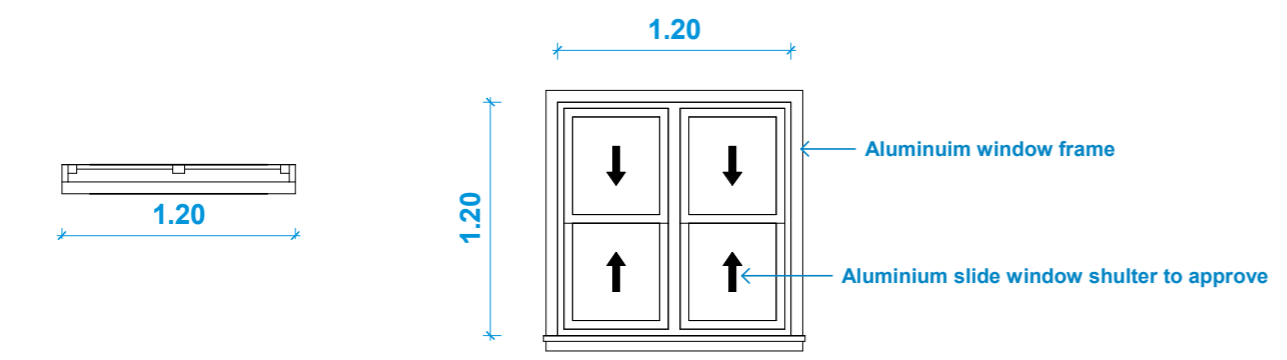
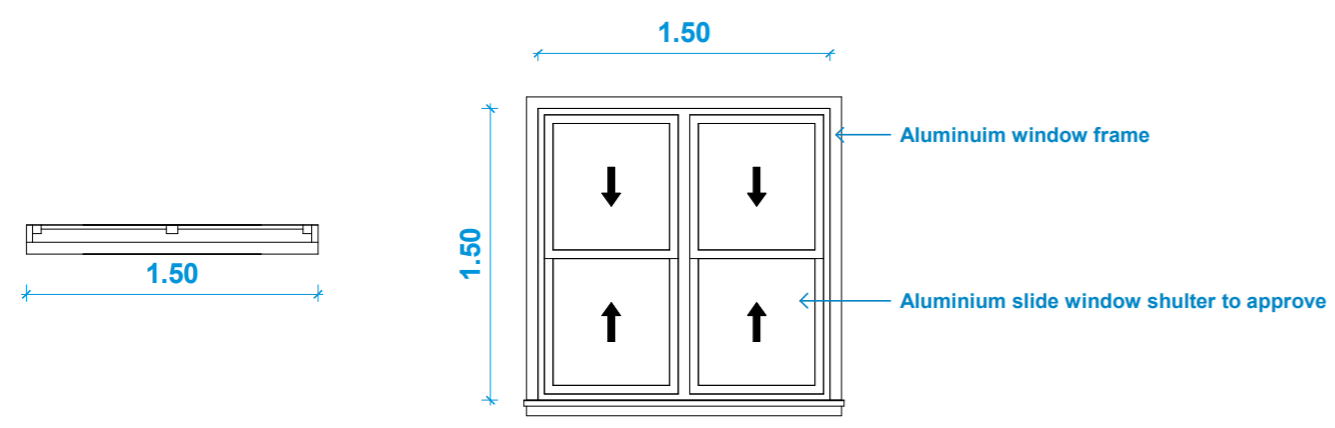
Date: May 2026

Drawn by: Eng Mohamud Essa Omar

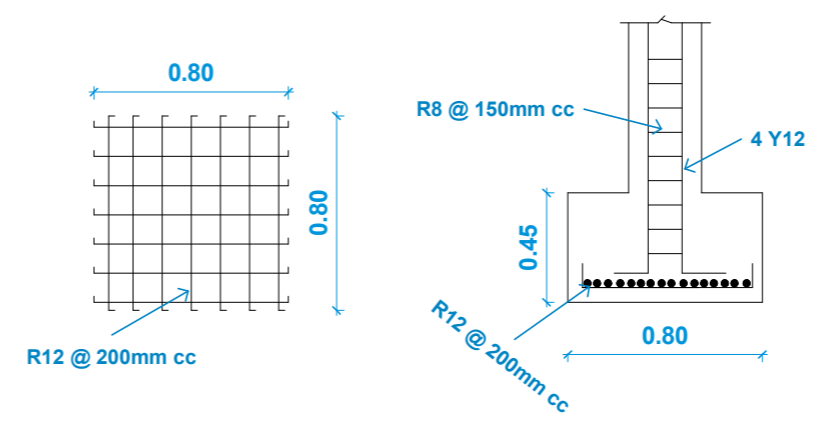
A 104

Scale: 1 : 25

Door
1 : 25



Ring Beam Details



RC Footing & Column Details

Rebar Details
1 : 20

Note

1. ALL DIMENSIONS ARE IN METERS UNLESS NOTED OTHERWISE.
2. THE RUBBLE STONE FOUNDATION WALL TO BE JOINTED WITH CEMENT/SAND (1:3 RATIO) MORTAR.
3. ALL REINFORCE CONCRETE SHALL BE C25 (1:2:4)

No.	Description	Date

Window
1 : 25

Window Schedule			
Assembly Code	Count	Height	Width
Double Leaf Alimunium Window size 1500x1500	1	1.50	1.50
Double Leaf Alimunium Window size 1500x1500	1	1.50	1.50
Double Leaf Alimunium Window size 1500x1500	1	1.50	1.50
Double Leaf Alimunium Window size 1500x1500	1	1.50	1.50
Double Leaf Aluminium size 1200x1200	1	1.20	1.20
Double Leaf Aluminium size 1200x1200	1	1.20	1.20

Window Schedule			
Assembly Code	Count	Height	Width
Double Leaf Aluminium size 1200x1200	1	1.20	1.20
Single Leaf Aluminium Size 800x800	1	0.80	0.80
Single Leaf Aluminium Size 800x800	1	0.80	0.80
Double Leaf Alimunium Window size 1500x1500	1	1.50	1.50
Double Leaf Aluminium size 1200x1200	1	1.20	1.20
Double Leaf Aluminium size 1200x1200	1	1.20	1.20

Celint: Baraawe District

Project: Multi-Purpose Community Centre

Window Schedule & Rebar Details

Dowladkaab LDF

Date: May 2026

Drawn by: Eng Mohamud Essa Omar

A 105

Scale: As indicated



DowladKaab Program

Note

1. ALL DIMENSIONS ARE IN METERS UNLESS NOTED OTHERWISE.
2. THE RUBBLE STONE FOUNDATION WALL TO BE JOINTED WITH CEMENT/SAND (1:3 RATIO) MORTAR.
3. ALL REINFORCE CONCRETE SHALL BE C25 (1:2:4)

No.	Description	Date

Celint: Baraawe District

Project: Multi-Purpose Community Centre

Electrical layout

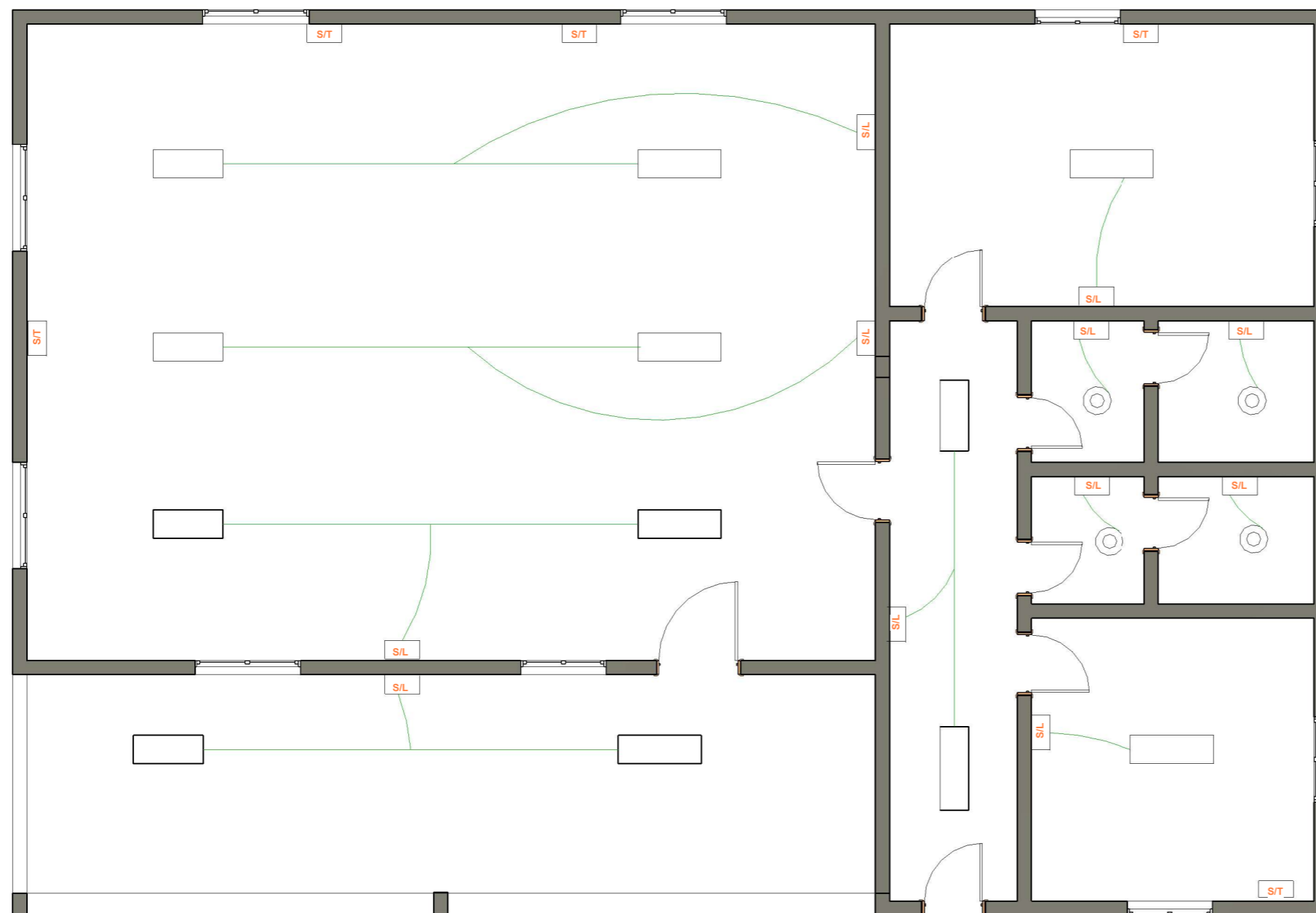
Dowladkaab LDF

Date May 2026

Drawn by Eng Mohamud Essa Omar

A 106

Scale 1 : 50

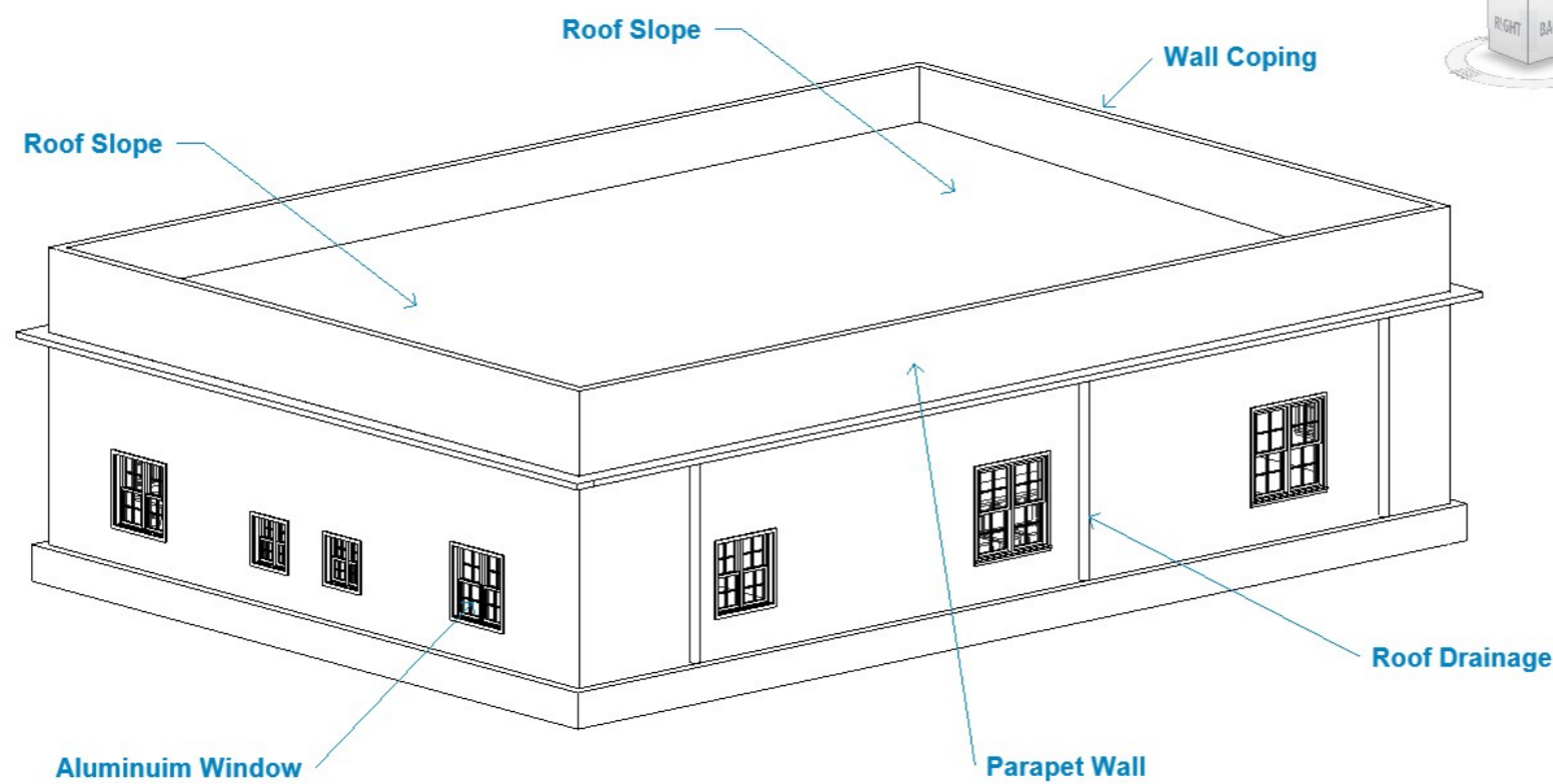
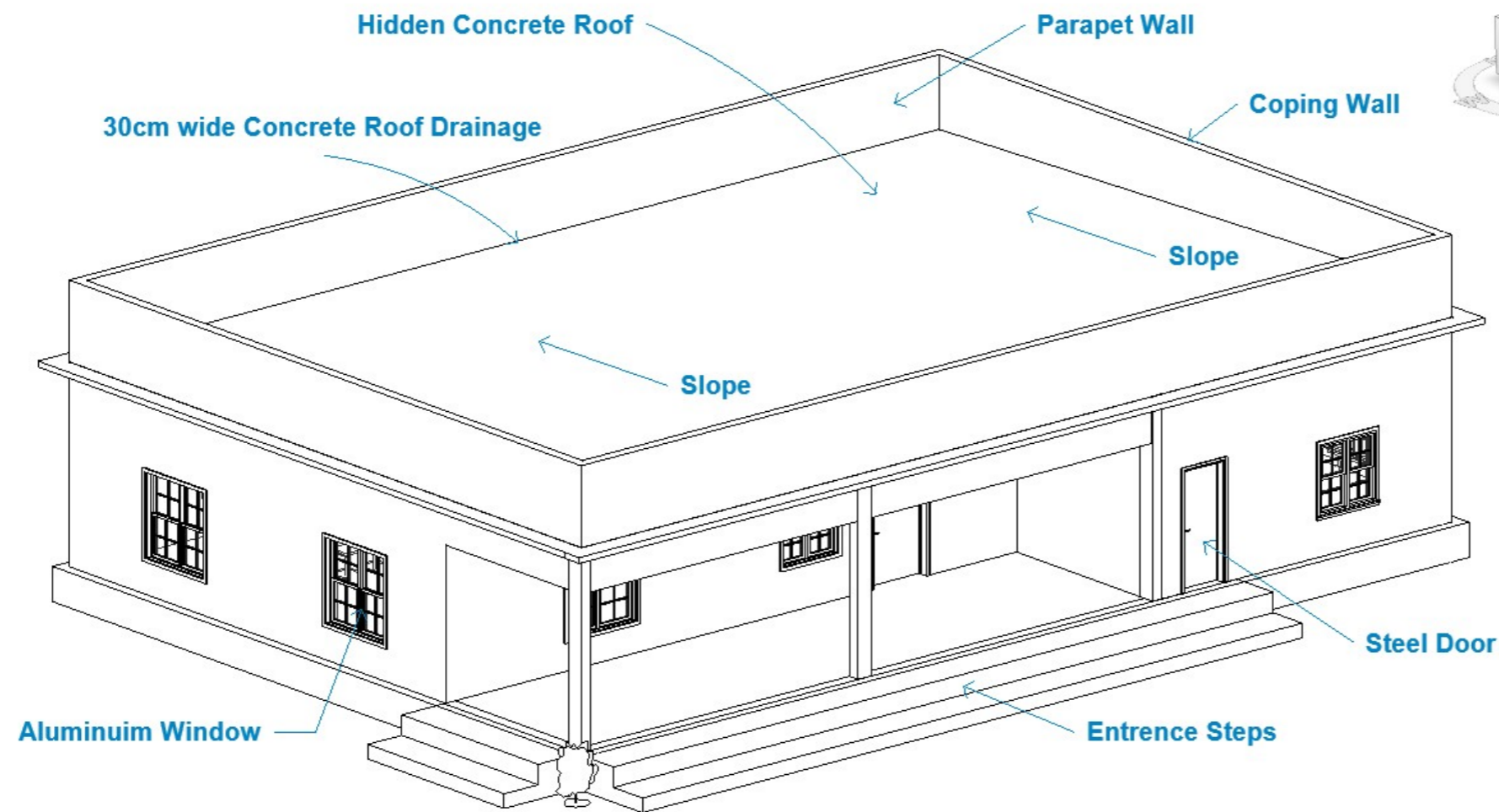


SYMBOL	MEANING
	CEILING MOUNTED LIGHT FIXTURE
	SWITCH LIGHT

SYMBOL	MEANING
	SOCKET
	ELECTRICAL WIRE



DowladKaab Program



Note

1. ALL DIMENSIONS ARE IN METERS UNLESS NOTED OTHERWISE.
2. THE RUBBLE STONE FOUNDATION WALL TO BE JOINTED WITH CEMENT/SAND (1:3 RATIO) MORTAR.
3. ALL REINFORCE CONCRETE SHALL BE C25 (1:2:4)

No.	Description	Date

Celint: Baraawe District	
Project: Multi-Purpose Community Centre	
3D	
Dowladkaab LDF	
Date	May 2026
Drawn by	Eng Mohamud Essa Omar
A 107	
Scale	